

## BRICK BOND GRILLES

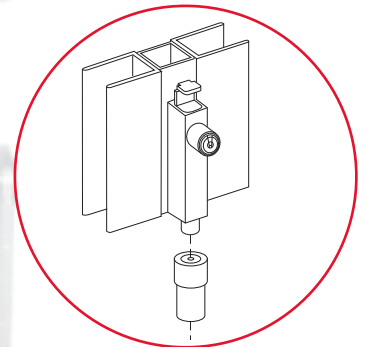
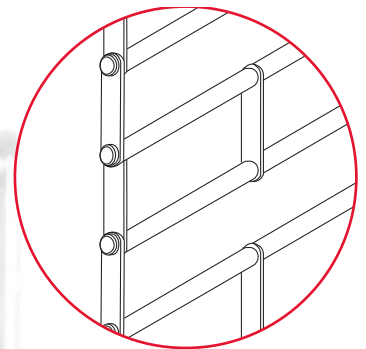
### TECHNICAL SPECIFICATION SHEET

The Fitzpatrick range of brick bond grilles provide the first line of defence for retail and commercial applications. The robust construction in brick bond or straight grille design are an attractive means of providing security to openings whilst maintaining maximum visibility. They can be manually or electrically operated and can be manufactured from aluminium or steel in a full range of colour options or stainless steel.

The design gives maximum visibility and ventilation or a simple division of space in retail areas or department stores, shopping malls etc.

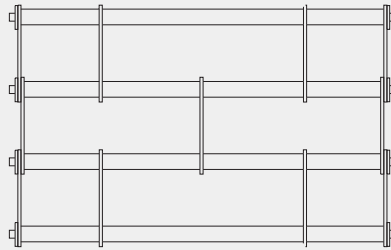
- Maximum visibility
- Available in Aluminium, Steel and Stainless Steel
- Full range of colours
- Manual or Electric
- Secure & Robust
- Ease of use

Typical Design



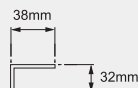
Removable  
Centre Posts

## Brick Bond Grilles

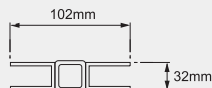


220mm x 57mm apertures, plain links and spacing tubes.

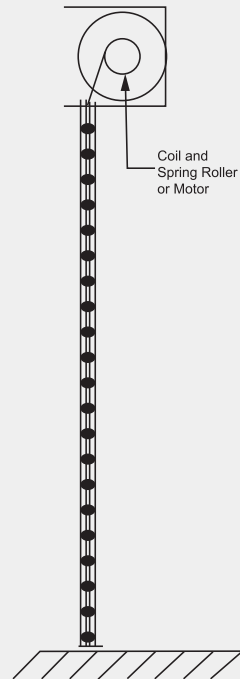
### TYPICAL SIDE GUIDES (ALUMINIUM)



TYPE 1



TYPE 2



### Aluminium Brick Bond Grille

The aluminium system has been designed to permit maximum visibility and elegance, built on 8 mm diameter aluminium rods with a 13mm diameter tube spacer and 76mm and 57mm centre links produce a 112 x 46mm brick bond pattern, this is aligned by spring steel clips.

This can be provided in natural mill finish, satin anodised colours or polyester powder coated to BS or RAL standard colour ranges. Maximum curtain area 20 square metres.

### Steel Brick Bond Grilles

The steel brick bond grille has been designed to permit maximum visibility with optimum strength, brick bond sizes are the same as the aluminium counter part and can be supplied in a zinc plated finish or polyester powder coated to BS or RAL standard colour ranges. Maximum curtain area 30 square metres.

### Stainless Steel Grilles

The stainless steel grille system has been designed to provide a maintenance free grille while providing optimum strength and elegance.

The system is manufactured from grade 304 stainless steel with 12mm diameter steel rods. 15mm diameter stainless tubes and 85mm centreline stainless steel links built up to provide a 300 x 73mm grille pattern. Guides are manufactured in stainless steel to complete the appearance of this unique system. Maximum curtain area 30 square metres.

### Electric Operation (Optional)

Generally provided by a 240 volt, single phase unit mounted within the barrel or 380/440 volt, 3 phase, 50hz externally mounted motor. Grilles can be operated via push buttons, key switches or remote control.