

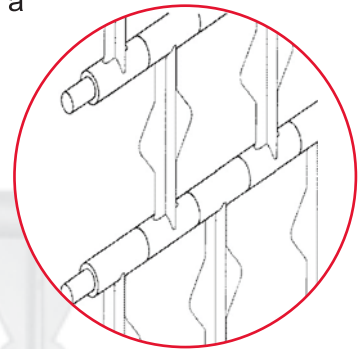
NYLON GRILLES

TECHNICAL SPECIFICATION SHEET

The Fitzpatrick nylon grille system has been designed to provide excellent visibility of displayed goods whilst retaining security. The nylon grille is available in a wide choice of colours and is suitable for both internal and external applications. Ideal for small openings requiring a simple push up/pull down operation. Bar counters and serving installations can be fitted with any number of intermediate and corner removable posts to enable even the largest openings to be secured. In certain applications it may be more suitable and convenient for the grille to be electrically operated, a single phase tubular motor can be mounted within the barrel to provide this operation through a simple up/down control switch or a key switch. The motor can be provided with an emergency hand crank facility.

The grille system is built on 8mm diameter aluminium rods with a neat anodised or powder coated bottom rail. The grilles can be secured by a lockable shoot bolt or a spanielette locks.

Nylon Grille



Light - easy to operate

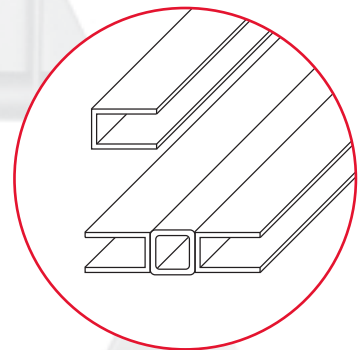
Excellent visibility

Range of standard colours

Can be fitted with corner posts

Aluminium bottom rail

Electric Option Available



Typical Side Guides

NATURAL WOOD SHUTTERS

Type 134 & 234

TECHNICAL SPECIFICATION SHEET

Designed for use in bars, receptions, display areas etc. Shutters will be manufactured in single or multiple units to suit either straight or angled openings. Guides may be fixed or removable as required. Available in Ramin, Ash, Oak, Utile, Beech, Yellow Pine and Colombian. Shutters are finished in white unless otherwise specified. If required they can be polished or stained and polished.

Self coiling action with counter balancing spring as standard. Manual shutters are fitted with locks which would be omitted on electric shutters. Electric operation is available with 230v 50Hz single phase tubular motor contained within the roller assembly, operated by push button or key switch.

● Natural wood finish

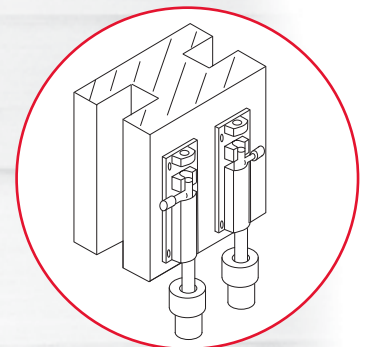
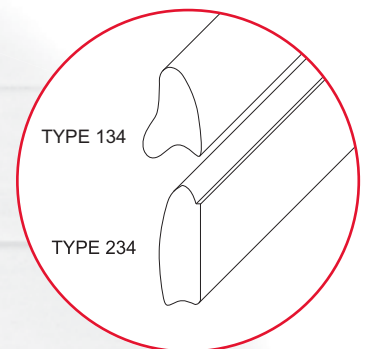
● Easy operation

● Staining & polishing available

● Electric Option Available

● Removable corner post

Two lath options



Bottom guides for removable parts