

FRAMECEL Metal Doorframes for Timber Doors

TECHNICAL SPECIFICATION SHEET

Fitzpatrick Metal Doorframes are manufactured to BS1245 in various materials and finishes. They are available to any configuration of size, profile and construction that may be required for special projects and applications. Fitzpatrick doorframes are designed and manufactured using sophisticated computerised plant and equipment to ensure high quality, accuracy and minimal site installation time.

Fully assembled ready for installation or "knock-down" for ease of transportation

Complete with hardware preparations

A full range of fixing methods available

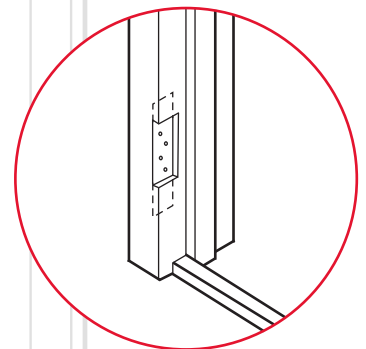
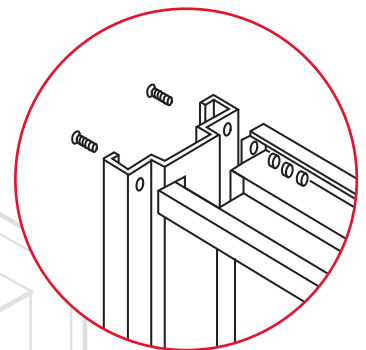
Primed for protection during shipping and installation

No cutting, warping or shrinking

Fire ratings to BS476 pt.22

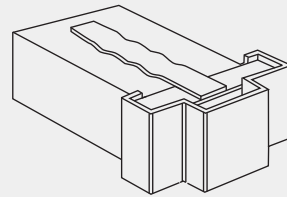
UL Listed to NFPA

K.D. Corner assembly

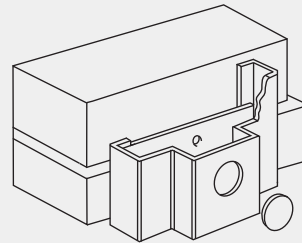


Typical hinge reinforcement

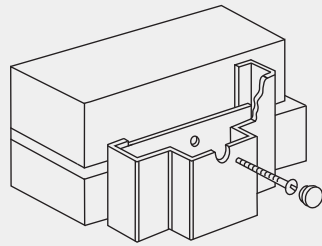
Fixing Methods



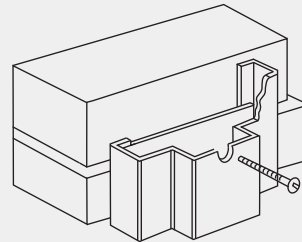
Type 'T'
Brick or Block Wall



Type 'F'
Flush Disc



Type '7'
Performed Openings



Type 'S'
Tube and strap -
High Security Fitting

Standard Profiles

A range of standard profiles are available, usually in either 1.2mm or 1.6mm Zintec and primed steel. The door size, and weight, dictates the gauge of metal. Standard or special profiles for single and double acting doors are available.

Lugs

Each doorframe is supplied with eight standard "T" Lugs or second fix options as shown above.

Hinges

Doorframes are prepared to receive Fitzpatrick standard hinges although a vast range of alternative hinges are available to suit special applications.

Special Ironmongery and Preparations

Frames can be manufactured to accommodate:

- overhead closers
- security bolts
- barrel bolts
- panic furniture
- flush bolts
- indicator bolts
- lock strikes

Fire Rating

Fitzpatrick Doorframes, used in conjunction with appropriate timber leaves are suitable for fire rating of 1/2 & 1 hour to BS476 pt.22.

Knock-Down Frames For International Projects

For ease of shipment, frames can be supplied crated in "knock-down" form for erection on site. This is particularly beneficial for large projects and for economic delivery worldwide.

Frames can be supplied in material, profiles and sizes as described in this leaflet to suit standard timber or special door leaf sizes.

The frames will be prepared for hinges, closers and other door furniture as specified and will come with appropriate fixing lugs for the application.

If you require complete steel doors and frames with door furniture, please ask for details of **Citadel, Firecel, Securicel and Soundcel doorsets**.