

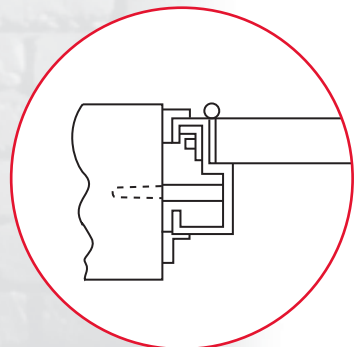
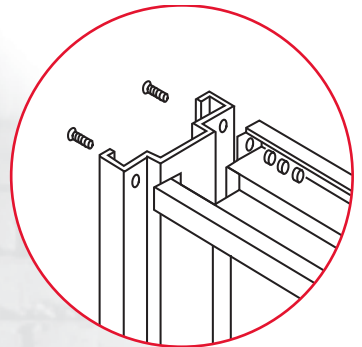
SECURICEL Security Metal Doorsets

TECHNICAL SPECIFICATION SHEET

Fitzpatrick Securicel High Security doorsets have evolved over three decades of research into commercial and industrial applications. Today all security doorsets are designed and manufactured using sophisticated computerised equipment.

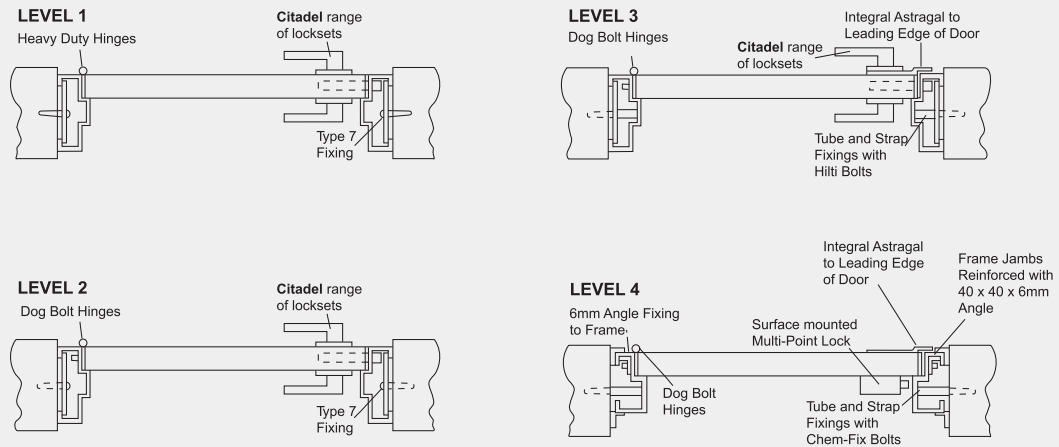
- High quality and accuracy
- Robust and maintenance free
- Resistant to twisting and warping
- Unaffected by vermin and mould
- Available with fire escape option

Knock down Frank Assembly

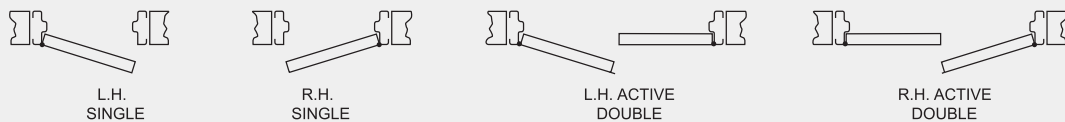


Security pin hinge

Security Levels



Doorset handings in plan view



The Securicel range can be finished with:

- primer as factory standard
- finish coated to BS/RAL colours
- T lug or second fix options as standard subject to security rating
- factory welded and assembled

Fitzpatrick Securicel doorsets are available in four distinct levels of security protection and are manufactured to order. Special designs are also available to meet customer's unique requirements eg. ballistic or blast protection.

You Decide The Level Of Protection

Security doorsets must offer resistance to real threats from petty burglars using small tools up to attempted forced entry with high powered machinery. We offer guidance to help you select the Securicel doorset you need.

Guidelines For Specification

Level 1

Resistance to attack with small tools, screwdriver, small lever/wrench, pliers, spanners etc or bodily force. These are usually relatively noiseless attempts to gain entry by opportunists.

Level 2

Resistance to attack with heavier hand tools, pipe wrench, claw hammer or hand drill where the burglar is more determined and is not afraid of creating some noise.

Level 3

Resistance to attack with more substantial and heavier tools such as a crowbar, a small cordless power drill, an axe or blowtorch. At this level we are facing a determined criminal who is not too concerned about the noise they make in their attempt to gain entry.

Level 4

At this level we are keeping out professionals who use such tools as heavy sledge hammers, power drilling, cutting and grinding equipment.

Note!

Levels 3 & 4 contain the appropriate infill to meet the perceived level of attack. For security reasons full details will not be published.

It is important to indicate the length of time you feel that a potential burglar would have available to carry out the attack. This will help us select the correct level for you.